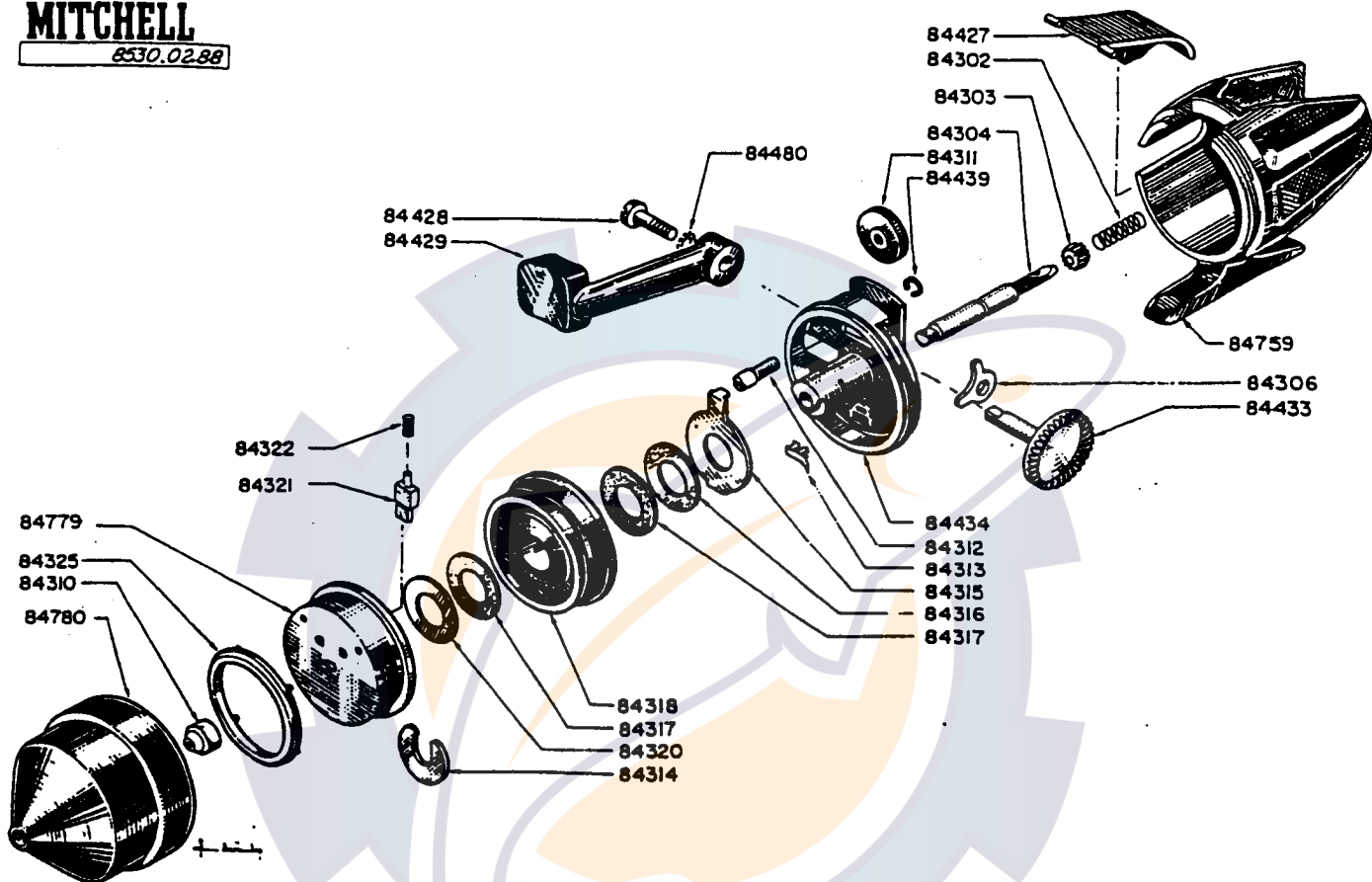


**MITCHELL**

8530.02.88



Part No.	Part Name
84302	STEEL AXLE SPRING
84303	PINION
84304	STEEL AXLE
84306	STEEL ANTI-REVERSE DOG
84310	BRASS HEX NUT
84311	DRAG KNOB
84312	DRAG SCREW
84313	BRONZE ANTI-REV CLICK
84314	STEEL SPOOL RETAINER
84315	STEEL DRAG LEVER
84316	STEEL DRAG WASHER
84317	FIBRE DRAG WASHER
84318	SPOOL—STANDARD GRAPHITE
84320	STEEL DRAG WASHER

Part No.	Part Name
84321	STEEL PIN
84322	STEEL PIN SPRING
84325	RUBBER RING
84427	CASTING TRIGGER
84428	BRASS HANDLE SCREW
84429	HANDLE COMPLETE
84433	DRIVE GEAR
84434	HOUSING
84439	STEEL CLIP
84480	STEEL HANDLE WASHER
84759	HOUSING
84779	STEEL ROTOR
84780	ALUMINUM HOOD